

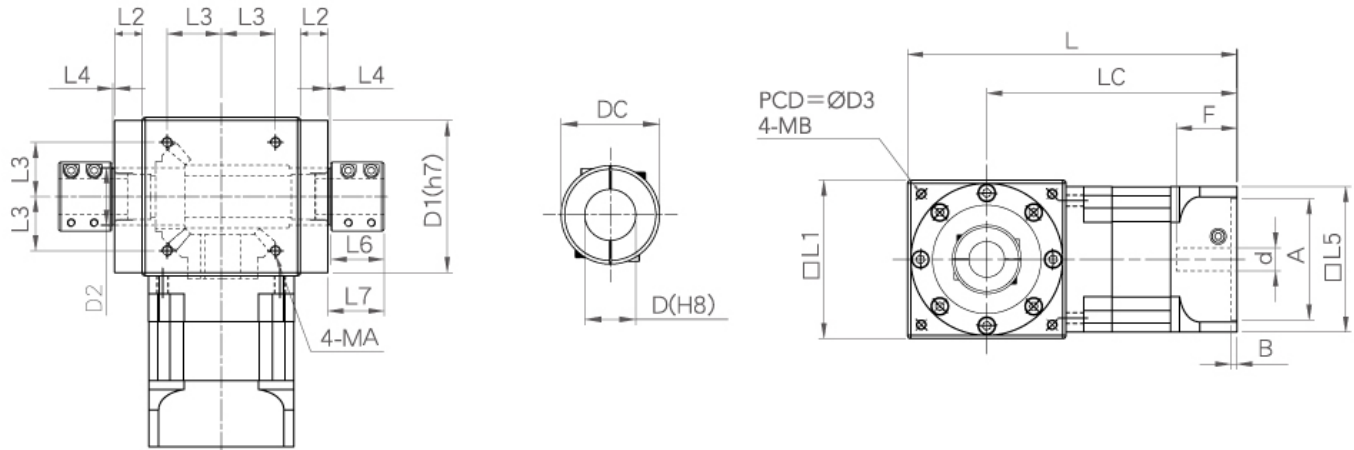
| Information | Stage | Ratio | RAM060 | RAM090 | RAM120 | RAM150 | RAM180 | RAM220 |
|-----------------------------------|---------|-------|---|--------|--------|--------|--------|--------|
| Defined Output Torque (Nm) | 1 | 3 | 44 | 168 | 260 | 500 | 880 | 1390 |
| | | 4 | 64 | 188 | 265 | 510 | 880 | 1390 |
| | | 5 | 60 | 180 | 265 | 510 | 880 | 1390 |
| | | 7 | 55 | 176 | 265 | 510 | 880 | 1390 |
| | | 10 | 44 | 168 | 260 | 500 | 880 | 1390 |
| | 2 | 9 | 44 | 168 | 260 | 500 | 880 | 1390 |
| | | 12 | 44 | 168 | 260 | 500 | 880 | 1390 |
| | | 15 | 44 | 168 | 260 | 500 | 880 | 1390 |
| | | 16 | 64 | 188 | 265 | 510 | 880 | 1390 |
| | | 20 | 64 | 188 | 265 | 510 | 880 | 1390 |
| | | 21 | 44 | 168 | 260 | 500 | 880 | 1390 |
| | | 25 | 60 | 180 | 265 | 510 | 880 | 1390 |
| | | 28 | 55 | 176 | 265 | 510 | 880 | 1390 |
| | | 30 | 44 | 168 | 260 | 500 | 880 | 1390 |
| | | 35 | 55 | 176 | 265 | 510 | 880 | 1390 |
| | | 40 | 64 | 188 | 265 | 510 | 880 | 1390 |
| | | 49 | 55 | 176 | 265 | 510 | 880 | 1390 |
| | | 50 | 60 | 180 | 265 | 510 | 880 | 1390 |
| | 70 | 55 | 176 | 265 | 510 | 880 | 1390 | |
| 3 | 100 | 60 | 180 | 265 | 510 | 880 | 1390 | |
| Peak Output Torque (Nm) | 1, 2, 3 | 3-100 | 1.5 times of the Defined Output Torque | | | | | |
| Backlash (arc min) | 1 | 3~10 | ≤8 | ≤8 | ≤8 | ≤8 | ≤8 | ≤8 |
| | 2 | 9~70 | ≤10 | ≤10 | ≤10 | ≤10 | ≤10 | ≤10 |
| Max. Input Speed (rpm) | 1 | 3~10 | 7500 | 5500 | 4500 | 3500 | 3000 | 2200 |
| | 2 | 9~70 | 8000 | 6000 | 6000 | 6000 | 6000 | 4800 |
| Efficiency (%) | 1 | 3~10 | ≥94 | | | | | |
| | 2 | 9~70 | ≥92 | | | | | |
| Noise (dB) | 1, 2, 3 | 3-100 | 76 | 77 | 77 | 78 | 79 | 80 |
| Life Time (hrs) | | | 20000 | | | | | |
| Temperature (°C) | | | -15°C~+90°C | | | | | |
| Protection Rank | | | IP64 | | | | | |
| Lubricant | | | Synthetic Lubricant | | | | | |

Przekładnie planetarne kątowe RAM



www.wobit.com.pl

| Information | | Stage | Ratio | RAM060 | RAM090 | RAM120 | RAM150 | RAM180 | RAM220 | |
|----------------------------|---|---------|-------|--------|--------|--------|--------|--------|--------|-------|
| Allowable Radial Force (N) | | 1, 2 | 3~70 | 1600 | 2700 | 3100 | 4800 | 7000 | 13000 | |
| Allowable Axial Force (N) | | | | 800 | 1350 | 1550 | 2400 | 3500 | 6500 | |
| Weight (kg) | RAM - H | stage 1 | | 3.5 | 9.5 | 13.2 | 28.4 | 50.4 | 51.7 | |
| | | stage 2 | | 3.8 | 10.5 | 15.2 | 33.4 | 65.4 | 66.7 | |
| | RAM - S | stage 1 | | 3.7 | 10.0 | 14.3 | 31.1 | 55.4 | 97.4 | |
| | | stage 2 | | 4.0 | 11.0 | 16.4 | 36.4 | 70.4 | 113.4 | |
| | RAM - 2S | stage 1 | | 3.9 | 10.2 | 14.6 | 32.4 | 57.4 | 101.3 | |
| | | stage 2 | | 4.2 | 11.2 | 16.7 | 36.9 | 72.4 | 117.3 | |
| | RAM - D | stage 1 | | 3.6 | 9.4 | 13.2 | 28.5 | 51.7 | 83.5 | |
| | | stage 2 | | 3.9 | 10.4 | 15.3 | 33.5 | 66.7 | 99.5 | |
| | RAM - F | stage 1 | | 3.7 | 9.9 | 13.5 | 29.4 | 51.0 | 85.8 | |
| | | stage 2 | | 4.0 | 10.9 | 15.6 | 34.4 | 66.0 | 101.5 | |
| | Mass Moment of Inertia (kg X cm ²) | | 1 | 3 | 0.372 | 2.31 | 4.74 | 20.85 | 62.9 | 163.2 |
| | | | | 4 | 0.229 | 1.44 | 2.98 | 12.83 | 38.9 | 100.3 |
| 5 | | | | 0.168 | 1.10 | 2.29 | 9.46 | 28.9 | 73.9 | |
| 7 | | | | 0.123 | 0.86 | 1.80 | 7.86 | 24.4 | 61.4 | |
| 10 | | | | 0.093 | 0.71 | 1.49 | 6.69 | 21.0 | 52.5 | |
| 2 | | | 9 | 0.175 | 1.28 | 2.85 | 14.59 | 46.2 | 114.4 | |
| | | | 12 | 0.160 | 1.19 | 2.69 | 14.23 | 45.2 | 111.1 | |
| | | | 15 | 0.150 | 1.15 | 2.58 | 14.03 | 44.7 | 110.1 | |
| | | | 16 | 0.109 | 0.82 | 1.82 | 8.83 | 28.1 | 69.4 | |
| | | | 20 | 0.091 | 0.71 | 1.55 | 7.81 | 24.9 | 61.1 | |
| | | | 21 | 0.309 | 1.92 | 3.94 | 17.30 | 52.2 | 135.4 | |
| | | | 25 | 0.089 | 0.70 | 1.52 | 6.78 | 21.7 | 52.8 | |
| | | | 28 | 0.084 | 0.67 | 1.42 | 6.47 | 20.6 | 50.0 | |
| | | | 30 | 0.075 | 0.60 | 1.31 | 6.11 | 19.5 | 47.2 | |
| | | | 35 | 0.082 | 0.65 | 1.39 | 6.38 | 20.4 | 49.5 | |
| | | | 40 | 0.075 | 0.61 | 1.31 | 6.11 | 19.5 | 47.4 | |
| | | | 49 | 0.082 | 0.65 | 1.39 | 6.38 | 20.4 | 49.5 | |
| | | | 50 | 0.074 | 0.61 | 1.30 | 5.91 | 18.9 | 45.7 | |
| | | | 70 | 0.073 | 0.59 | 1.27 | 5.84 | 18.7 | 45.3 | |
| | | | 3 | 100 | 0.086 | 0.69 | 1.49 | 6.69 | 21.4 | 52.0 |



Unit: mm

| Info. | RAM060-D | RAM090-D | RAM120-D | RAM150-D | RAM180-D | RAM220-D | |
|-------|----------------|----------------|-----------------|-----------------|------------------|-----------------|-------|
| L 1 | 83 | 114 | 124 | 154 | 183 | 220 | |
| L 2 | 17 | 21.5 | 21.5 | 19 | 20 | 20 | |
| L 3 | 28.284 | 33.587 | 38.89 | 45.962 | 56.569 | 72.478 | |
| MA | M5 x P0.8 x 10 | M6 x P1.0 x 12 | M8 x P1.25 x 14 | M10 x P1.5 x 22 | M12 x P1.75 x 22 | M16 x P2.0 x 16 | |
| L 4 | 1.5 | 1.5 | 1.5 | 1.5 | 1.5 | 1.5 | |
| L 5 | 60 | 94 | 114 | 142 | 180 | 220 | |
| L 6 | 33.5 | 33.5 | 42.5 | 42.5 | 57.5 | 57.5 | |
| L 7 | 35 | 35 | 44 | 44 | 59 | 59 | |
| LC | Stage 1 | 146.2 | 187 | 196.8 | 282 | 327 | 340 |
| | Stage 2 | 168.2 | 215.5 | 224.8 | 334 | 409.5 | 446.5 |
| L | Stage 1 | 187.7 | 244 | 258.8 | 359 | 418.5 | 450 |
| | Stage 2 | 209.7 | 272.5 | 286.8 | 411 | 501 | 556.5 |
| DC | 30 | 36 | 54 | 66 | 82 | 120 | |
| D | 16 | 20 | 28 | 40 | 50 | 75 | |
| D1 | 79 | 109 | 119 | 149 | 169 | 217 | |
| D2 | 25 | 35 | 45 | 55 | 65 | 105 | |
| D3 | 100 | 130 | 145 | 190 | 185 | 240 | |
| MB | M5 x P0.8 x 10 | M6 x P1.0 x 12 | M8 x P1.25 x 14 | M10 x P1.5 x 22 | M12 x P1.75 x 22 | M16 x P2.0 x 16 | |
| d | ≤14 | ≤24 | ≤28 | ≤42 | ≤55 | ≤65 | |
| A | 30~50 | 50~80 | 50~110 | 95~130 | 95~150 | 110~200 | |
| B | 6 | 6 | 5 | 10 | 11 | 12 | |
| F | ≤35 | ≤47.5 | ≤47.5 | ≤66.5 | ≤82.5 | ≤88.5 | |