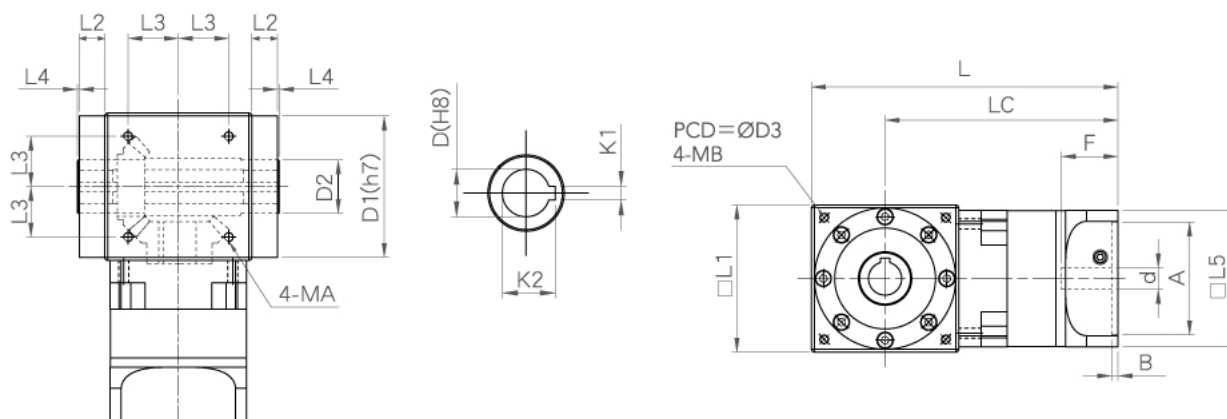


Information	Stage	Ratio	RAH060	RAH090	RAH120	RAH150
Defined Output Torque (Nm)	1	3	40	140	260	500
		4	50	168	265	510
		5	44	166	265	510
		7	42	155	265	510
		10	40	140	260	500
	2	9	40	140	260	500
		12	40	140	260	500
		15	40	140	260	500
		16	50	168	265	510
		20	50	168	265	510
		21	40	140	260	500
		25	44	166	265	510
		28	42	155	265	510
		30	40	140	260	500
		35	42	155	265	510
		40	50	168	265	510
		49	42	155	265	510
		50	44	166	265	510
		70	42	155	265	510
	3	100	44	166	265	510
Peak Output Torque (Nm)	1, 2, 3	3-100	1.5 times of the Defined Output Torque			
Backlash (arc min)	1	3~10	≤13	≤13	≤13	≤13
	2	9~70	≤15	≤15	≤15	≤15
Max. Input Speed (rpm)	1	3~10	7500	5500	4500	3500
	2	9~70	8000	6000	6000	6000
Efficiency (%)	1	3~10	≥94			
	2	9~70	≥92			
Noise (dB)			76	77	77	78
Life Time (hrs)			20000			
Temperature (°C)	1, 2, 3	3-100	-15°C~+90°C			
Protection Rank			IP64			
Lubricant			Synthetic Lubricant			

Information		Stage	Ratio	RAH060	RAH090	RAH120	RAH150	
Allowable Radial Force (N)		1, 2	3~70	1600	2700	3100	4800	
Allowable Axial Force (N)				800	1350	1550	2400	
Weight (kg)	RAH - H	stage 1		3.3	9.8	13.2	27.4	
		stage 2		3.6	10.8	15.2	31.6	
	RAH - S	stage 1		3.5	10.2	14.3	29.5	
		stage 2		3.8	11.2	16.4	34.4	
	RAH - 2S	stage 1		3.5	10.4	14.6	30.4	
		stage 2		3.9	11.4	16.7	35.4	
	RAH - D	stage 1		3.4	9.6	13.3	27.4	
		stage 2		3.7	10.6	15.3	31.8	
	RAH - F	stage 1		3.5	10.2	13.5	27.9	
		stage 2		3.8	11.2	14.6	32.6	
	Mass Moment of Inertia (kg X cm ²)		1	3	0.352	2.04	4.74	19.03
				4	0.215	1.25	2.98	11.66
5				0.156	0.94	2.29	8.55	
7				0.112	0.71	1.80	7.00	
10				0.084	0.57	1.49	5.90	
2			9	0.155	1.01	2.85	12.79	
			12	0.141	0.93	2.69	12.43	
			15	0.132	0.90	2.58	12.24	
			16	0.096	0.64	1.82	7.71	
			20	0.080	0.55	1.55	6.81	
			21	0.292	1.69	3.94	15.79	
			25	0.078	0.54	1.52	5.91	
			28	0.074	0.52	1.42	5.64	
			30	0.066	0.47	1.31	5.32	
			35	0.071	0.50	1.39	5.55	
			40	0.065	0.47	1.31	5.32	
			49	0.071	0.50	1.39	5.55	
			50	0.064	0.47	1.30	5.14	
			70	0.063	0.46	1.27	5.08	
3			100	0.075	0.53	1.49	5.82	



Unit: mm

Info.	RAH060-H	RAH090-H	RAH120-H	RAH150-H
L 1	83	114	124	154
L 2	17	21.5	21.5	19
L 3	28.284	33.587	38.89	45.962
MA	M5 x P0.8 x 10	M6 x P1.0 x 12	M8 x P1.25 x 14	M10 x P1.5 x 22
L 4	1.5	1.5	1.5	1.5
L 5	62	95	115	143
LC	Stage 1	136	193.5	282
	Stage 2	153.5	219.5	334
L	Stage 1	177.5	250.5	359
	Stage 2	195	276.5	411
D	16	20	28	40
D1	79	109	119	149
D2	25	35	45	55
D3	100	130	145	190
MB	M5 x P0.8 x 10	M6 x P1.0 x 12	M8 x P1.25 x 14	M10 x P1.5 x 22
K1	5	6	8	12
K2	18.3	22.8	31.3	43.3
d	≤14	≤24	≤28	≤42
A	30~50	50~80	50~110	95~130
B	6	8	5	10
F	≤32	≤40	≤47.5	≤66.5