

# Data sheet for Load Cells

## S-Beam Load Cells

## Series KM1506



- Strain gauge principle
- Stainless steel
- Force transmission via M10-thread for 2kN..20kN
- Protection grade IP65
- Easy to install, stable and reliable

Series KM1506 force transducer is a all-purpose S-beam load cell. Suitable for batching systems, package systems, etc.

### Data Load Cell

Rated force	2kN, 5kN, 10kN, 15kN, 20kN
Rated characteristic value	2,0 mV/V of rated output
Relative error of characteristic value	≤ 1 % of rated output
Relative repeatability error	≤ 0,05 % of rated output
Relative reversibility error	≤ 0,05 % of rated output
Relative linearity error	≤ 0,05 % of rated output
Relative deviation of zero signal	≤ 0,1 % of rated output
Rated displacement	≤ 0,2 mm @2kN..5 kN / ≤ 0,3 mm @10kN / ≤ 0,6 mm @15kN..20kN
Input resistance	387 ±20 Ω
Output resistance	350 ±3 Ω
Insulation resistance	≥ 5 GΩ @ 50 VDC
Maximum operating force	≤ 200 % of rated force
Rated range of excitation voltage	10 V DC / AC
Operating range of excitation voltage	≤ 15 V DC / AC
Rated temperature range	-10 °C..+40 °C
Operating temperature range	-10 °C..+70 °C
Protection	IP65
Temperature effect on characteristic value	≤ 0,02 % of output / 10 K
Temperature effect on zero signal	≤ 0,02 % of rated output / 10 K
Creep under load	≤ 0,05 % of rated output
Cable dimension	4 x AWG26, Ø4,6 mm, shielded
Cable length from body	ca. 2 m
Body material	Stainless steel
Mass	ca. 270g

Terms according to guideline VDI / VDE / DKD 2638

# Data sheet for Load Cells

S-Beam Load Cells

Series KM1506

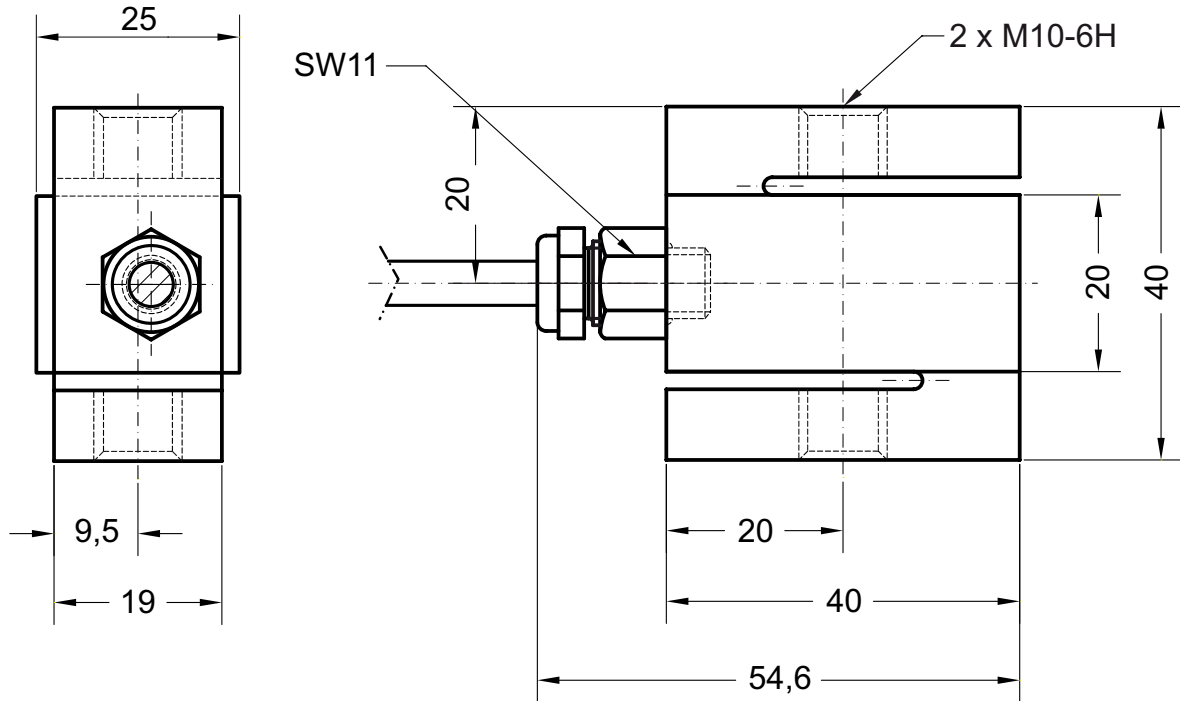
## Order code

Description	Selection: standard=black/bold, possible options=grey/cursive		
Series:	<b>KM1506</b>		
Connecting cable: Cable length 2 m		<b>K</b>	
Rated force:			
2 kN			<b>2kN</b>
5 kN			<b>5kN</b>
10 kN			<b>10kN</b>
15 kN			<b>15kN</b>
20 kN			<b>20kN</b>

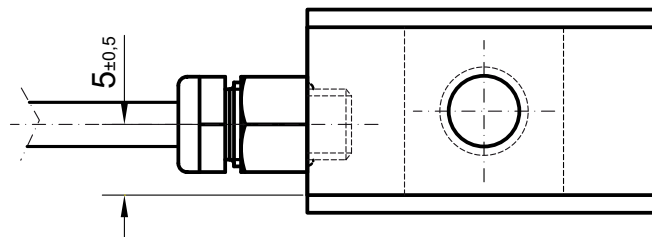
## Accessories (not included in delivery)

Measuring amplifier	IMA2 DMS
---------------------	----------

### Drawing



Dimensions in mm



### Cable assignment

For tension:

Brown: +input  
 Yellow: -input  
 Green: -output  
 White: +output

For pressure:

Brown: +input  
 Yellow: -input  
 Green: +output  
 White: -output

### Connection diagram tension

