

**MD150A – Digital process display 0-10V/4-20mA  
with USB and RS485 interfaces**

**P.P.H. WObit E.J Ober. s.c.**  
62-045 Pniewy, Dęborzycze 16  
tel. 61 22 27 422, fax. 61 22 27 439  
e-mail: wobit@wobit.com.pl

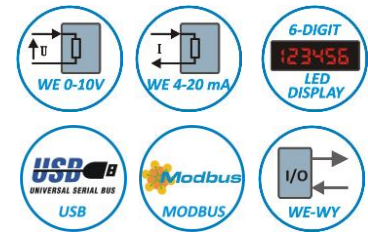
**Description:**

**MD150A** digital process display is designed to cooperation with sensors with voltage, current or potentiometric output. Measured value can be converted to any units.

**MD150A** has **2 relay outputs** and two dedicated digital inputs MD150A is equipped with **USB** and **RS485 MODBUS** interfaces. USB interface allows for recording measurement data in PC (e.g. to Excel file) with the use of MD150A-PC software. MODBUS-RTU allows for reading of measurements from several indicators at the same time to PLC controller, HMI panel or its own PC application.

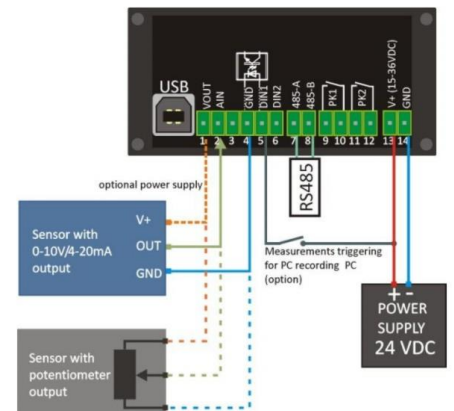
**Features:**

- Measurement of voltage or current with resolution of 10000 measurement steps (1mV).
- Potentiometric sensor supply output.
- Filtering of signal.
- Conversion of voltage/current to any units.
- Changes of status of relay outputs based on set thresholds.
- Transfer of measurement data to PC (USB) or master device e.g. HMI panel, PLC controller (RS485 MODBUS-RTU).



**Technical parameters:**

Description	Parameter
Power supply	15 ... 36 VDC, recommended 24 VDC, min. 250mA
Sensor supply output	+5 VDC, max. 200mA
Analogue input	Resolution <10000 measurement steps (0-10V: ±1mV, 0-20mA: ±4uA) Input resistance 200KΩ Non-linearity error: 0,05% Measurement frequency: 100Hz
Digital inputs	Low status: <2V, high status: +5...+24V
Relay outputs	2 x <b>1A/125VAC, 2A/30VDC</b>
Interfaces	RS485 MODBUS-RTU, default parameters 57600bps, 8:n:1, <b>USB: 1.1, 2.0</b>
Operating temperature range	0..50° C
Display	6 digits, height 13.5 mm
Weight	200g
IP class	IP40, IP65- from front panel



Example of connections of external signals to MD150A.

