

Data Sheet for Joysticks

Synthesis of Joystick and Trackball

Space Joystick



- up to 6 degrees of freedom with opto-electronic sensing
- Joystick firmware: no additional software drivers needed
- USB interface
- blue back-lit handle

Being well-known for years in 3D development environments (e.g. CAD), the Space Joystick is now being offered with a special joystick firmware by Megatron exclusively. This allows to use the device as an USB-joystick right away, you do not have to fight with drivers and emulators. With 6 degrees of freedom and 2 pushbuttons incorporated into the housing, the Space Joystick is well-suited for a broad variety of control tasks.

For the integration into e.g. operator panels or armrests a module of the Space Joystick is available without the housing. Depending on the individual requirements different mechanical and electrical interfaces, e.g. CANbus can be realized. In order to discuss the best solution for your project individually, we kindly ask you to contact us.

Technical Data

Sensors	Hall effect
Resolution digital	8 Bits
Resolution translation	170 Inc/mm
rotation	42 Inc/deg
Supply voltage	5,0V (über USB-Schnittstelle)
Power consumption	60 mA (suspend mode 0,5mA)
Supported protocols	USB 1.1 & 2.0

Mechanical Data

IP class	For indoor use
Operation temperature	0 .. +50°C
Storage temperature	-40 .. +70°C
Material	Stainless steel
Weight	480 g
Connection	USB Typ A Male, length: 1,7m

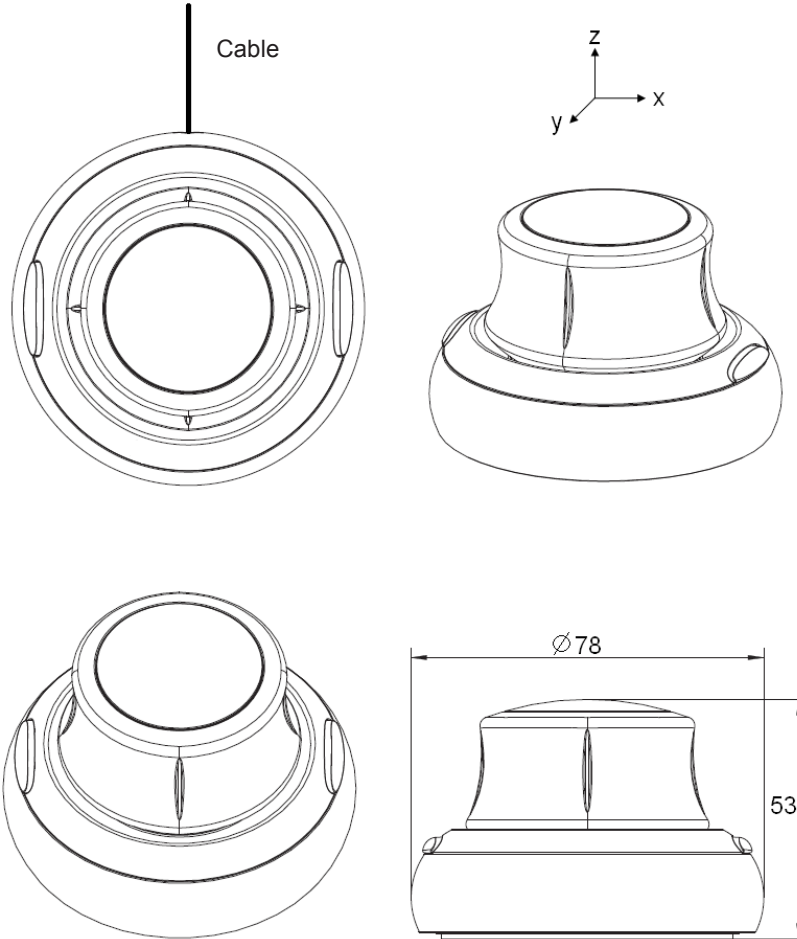
Norms

FCC	FCC Part 15 Class B
RoHS	RoHS compliant

Order Code

Description	Option
Series	Space Joystick

Technical Drawing



All data in mm

Up to 6 degrees-of-freedom

