

Data Sheet for Joysticks

Desktop Joystick with Hall Sensors and USB Interface

Series RS Desktop



- 3 axes with Hall sensors
- Compact desktop housing with 6 pushbuttons
- USB interface (HID 1.1 compliant)

The RS Desktop was developed for professional indoor usage. Due to its ergonomic design it is suited for left or right hand use. Main fields of application are sensitive control tasks: for example control of PTZ cameras or precise steering in medical technologies or engineering.

Technical Data

Sensors	Hall effect
Resolution	12 Bit (4096 steps)
Joystick travel	x/y-axes +/-18° z-axis +/-30°
Supply voltage	5 VDC (USB interface)
Power consumption	100 mA
Supported protocols	USB HID 1.1 game controller Direct X (Gaming Control) Joystick: 3 HID axes Pushbuttons: 6 HID pushbuttons

Mechanical and environmental data

IP class	For indoor use
Operation temperature	-25 ... +70°C
Expected Lifetime Joystick	typ. 5 Mio. cycles
Material	High impact ABS, stainless steel
Weight	ca. 600 g
Connection	USB Typ A Male, length: 2m

Norms

EMV	EN 55024:1998, EN 55022, CE
FCC	FCC Part 15 Subpart B Class B
RoHS	RoHS compliant

Order Code

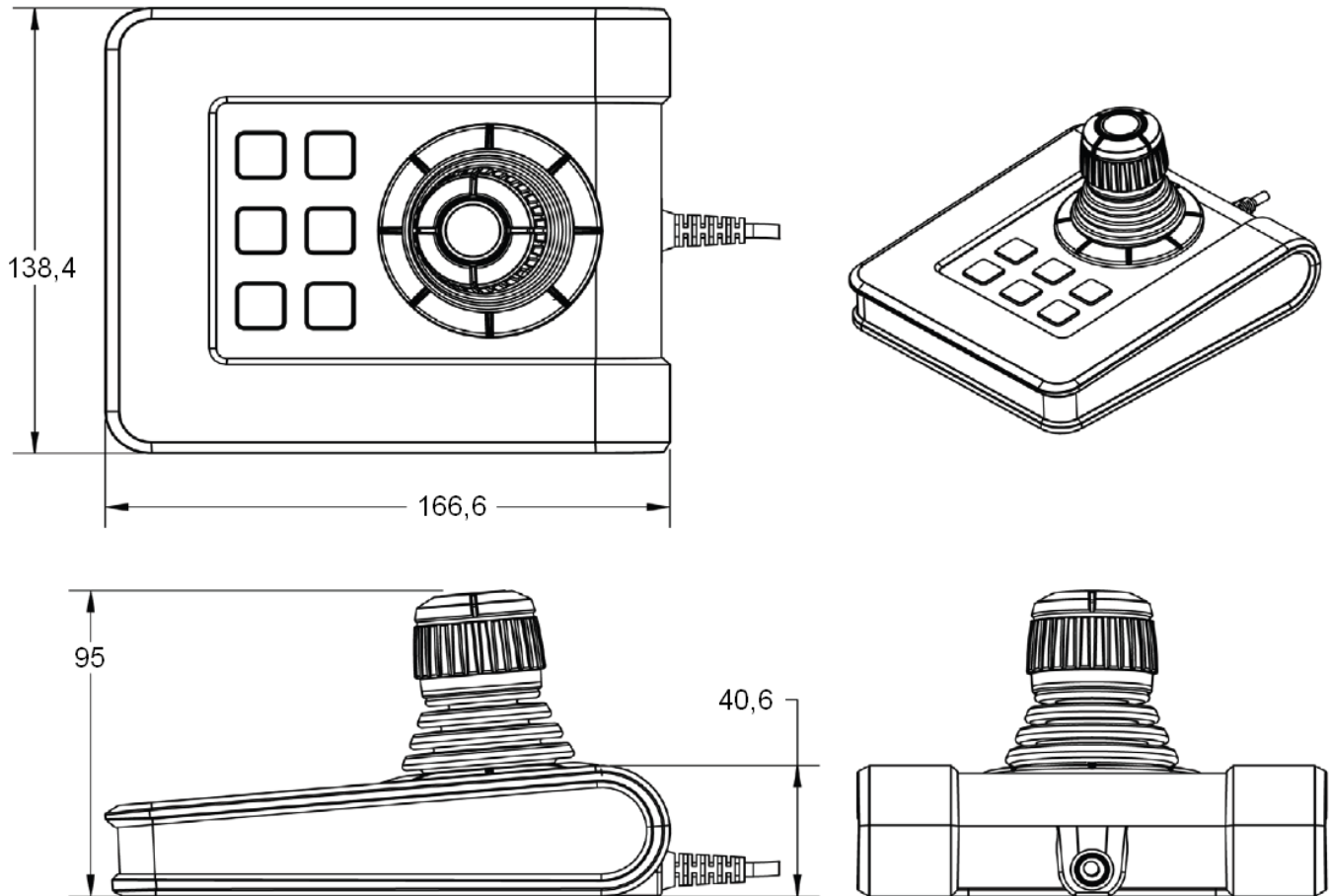
Description	Option
Series	RS Desktop

Data Sheet for Joysticks

Desktop Joystick with Hall Sensors and USB Interface

Series RS Desktop

Technical Drawings



All data in mm