

# Data Sheet for Joysticks

Finger Joystick

Series 830



- 2 axes (special versions with 3 Axes upon request)
- Spring return to center position or friction hold
- Customer-specific handles and sensors upon request
- Angle-dependent Actuation of Microswitches

The 830 series can be configured to different applications by choosing between different sensors and handle designs. Due to the robust, at the same time smart construction the series is very cost-effective.

## Technical Data of Joystick base

Mechanical Angle of Movement X-, Y-Axes	±29° from center
Return to Center Accuracy	±1°
Operating Force X- and Y-axis	1,6 N
Expected Life	ca. 2 Mio. cycles
Operating Temperature	-40°C..+70°C
Protection Class	IP54 (with boot)
Panel Thickness	max. 2,5 mm

## Technical Data of Standard Poti Type M (other sensors on request)

Sensor	Conductive Plastics Potentiometer
Resistance / -tolerance	5 kOhm / ±15%
Independent Linearity	±1,5%FS
Electrical rotation angle	54° ±6°
Max. Current	1 mA
Max. Voltage	30 VDC
Power Rating at +40°C	0,15 W

# Data Sheet for Joysticks

Finger Joystick

Series 830

## Order Description

<b>Series</b>	<b>830</b>					
<b>Axes</b>						
<b>2 Axes</b>		<b>2</b>				
<b>2 Axes with Pushbutton</b>		<b>3</b>				
1 Axis		1 (*)				
1 Axis with Pushbutton		6 (*)				
3 Axes		4 (*)				
3 Axes with Pushbutton		5 (*)				
<b>Rubber Boot with rectangular Bezel</b>			<b>5</b>			
<b>Rubber Boot with stainless steel Bezel</b>			<b>6</b>			
<b>Flat Rubber Boot and Bezel</b>			<b>K</b>			
No Rubber Boot			0 (*)			
<b>Spring Return</b>				<b>1</b>		
<b>Friction Hold</b>				<b>2</b>		
<b>Cylindrical Handle (Aluminium knurled)</b>					<b>A</b>	
<b>Cylindrical Handle (Duroplast)</b>					<b>B</b>	
Cylindrical Handle with Pushbutton					4 (*)	
<b>Without Trimm</b>						<b>1</b>
<b>Potentiometer Type M</b>						<b>M</b>

For joysticks available from stock please see our stock types list: <http://www.megatron.de/en/stocklists/joysticks/lagerliste.html>

Bold print = Standard options

(\*) upon request

### For higher quantities or on-going demand, additional options are available

For example:

- further handle variants, e.g. with integrated pushbutton or third axis functionality
- Angle-dependent Actuation of Microswitches
- Potentiometer with different characteristics

Available options for small quantity orders can be found on our stock types list on:

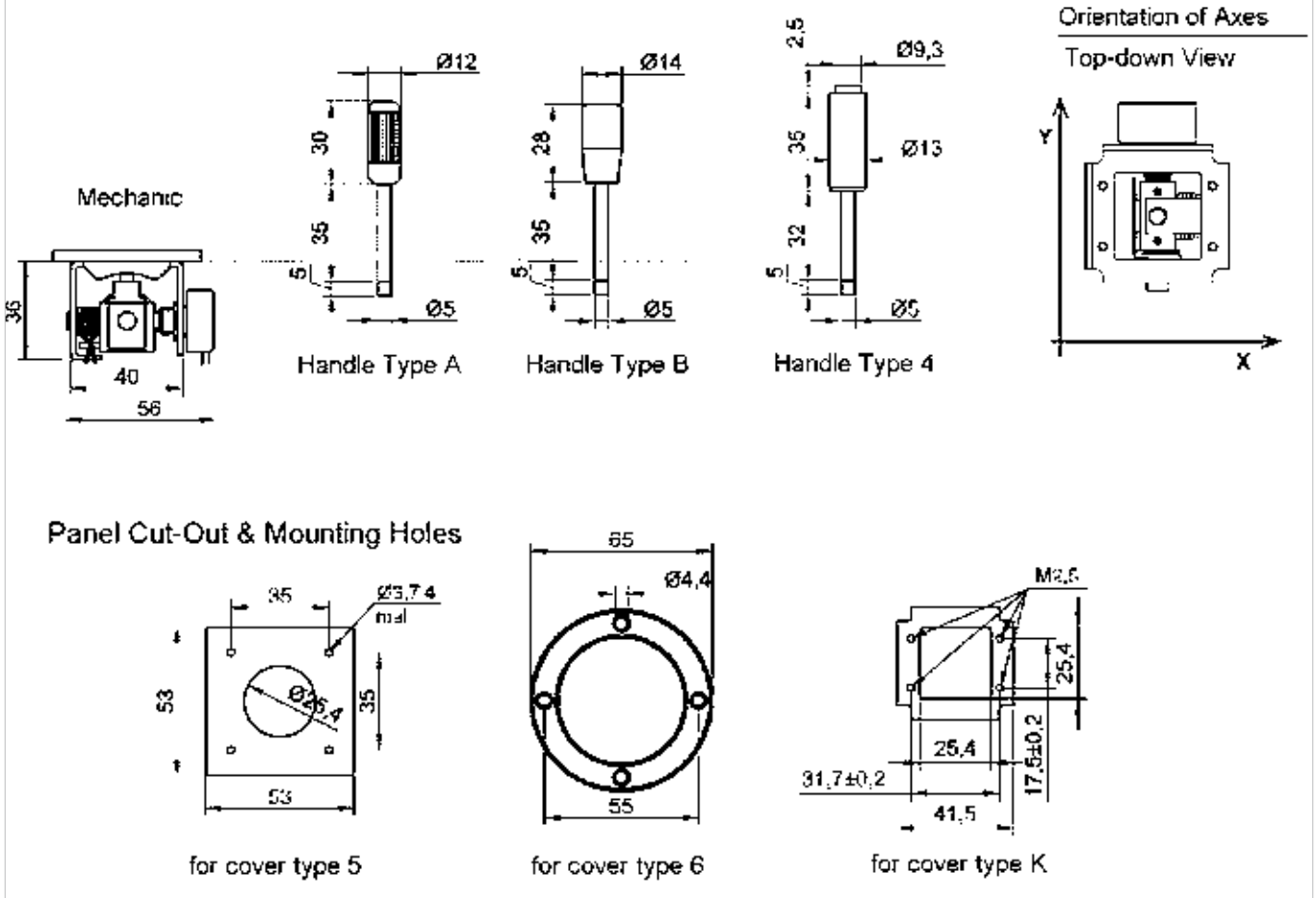
<http://www.megatron.de/en/stocklists/joysticks/lagerliste.html>

In addition, we have an extensive stock of samples for project needs.

For technical advice, projects, samples, questions about pricing, delivery times and availability please contact us

Tel.: +49 89 46094-500  
 export@megatron.de

## Technical Drawings



## Covers & Bezels



Cover Type 5 black



Cover Type 6 chrome-plated



Cover Type K

# Data Sheet for Joysticks



Finger Joystick

Series 830

## Further Handle Variants (upon request)

<p>MATERIAL FINISH STANDARD COLOR OTHER COLORS</p>	<p>Nylon Sparked Matt Black n.a.</p>	<p>Aluminium Anodised Black n.a.</p>	<p>Nylon Sparked Matt Black Upon Request</p>	<p>Stainless Steel Natural Stainless Steel n.a.</p>
<p>MATERIAL FINISH STANDARD COLOR OTHER COLORS NOTES</p>	<p>ABS Sparked Matt Black Upon Request Pushbutton</p>	<p>ABS Sparked Matt Black n.a. Pushbutton</p>	<p>Nylon Sparked Matt Black n.a.</p>	<p>Aluminium Anodised Black n.a. Third Axis</p>
<p>MATERIAL FINISH STANDARD COLOR OTHER COLORS NOTES</p>	<p>ABS Sparked Matt Black Upon Request 2 Pushbuttons</p>	<p>Aluminium Anodised Black n.a. Third Axis</p>	<p>Stainless Steel Polished Stainless Steel n.a.</p>	<p>Aluminium Anodised Black n.a. Pushbutton</p>

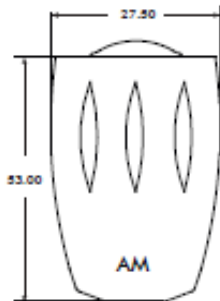
Dimensions in mm

# Data Sheet for Joysticks

Finger Joystick

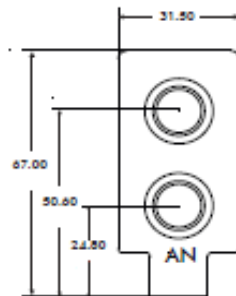
Series 830

## Further Handle Variants (upon request)

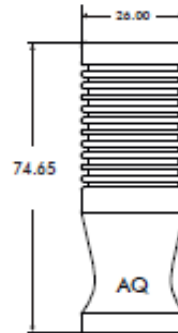


MATERIAL  
FINISH  
STANDARD COLOR  
OTHER COLORS  
NOTES

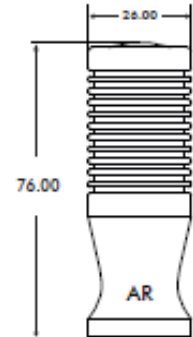
Aluminium  
Anodised  
Black  
Upon Request  
Pushbutton



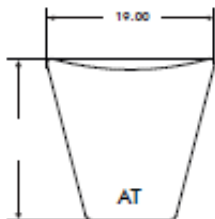
Delrin  
Gloss  
Black  
n.a.  
Pushbuttons



Aluminium  
Anodised  
Black  
n.a.



Aluminium  
Anodised  
Black  
n.a.  
Pushbutton

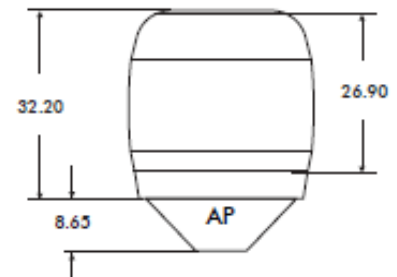


MATERIAL  
FINISH  
STANDARD COLOR  
OTHER COLORS  
NOTES

Nylon  
Sparked Matt  
Black  
Upon Request

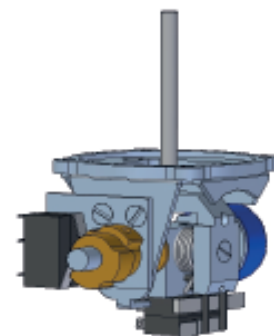
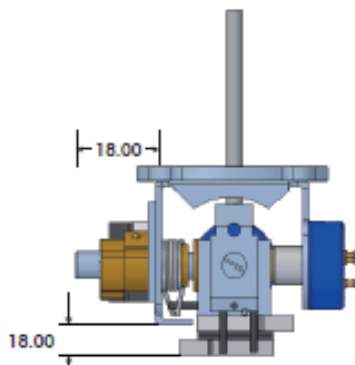


Stainless Steel  
Polished  
Stainless Steel  
n.a.



Santoprene over Nylon  
Soft Touch  
Black  
Upon Request  
Third Axis

## 2 or 4 Microswitches (upon request)



Dimensions in mm