

Data Sheet for Joysticks

Switchstick

Series 851



- Spring return to center position
- IP class 65 (above panel)

Newly constructed, the series 851 takes currents up to 5 A and voltages up to 240 VAC. Optimized price-performance ratio for small to medium usage.

Mechanical Data

Angle of Movement X-/Y-Axis	±12°
Material Shaft	Stahl
Material Housing	Nylon
Material Cover	Nylon
Mounting Screws	M2,5 x 25

Electrical Data

Material Switch Contacts	Silver
Max. Current	5 A
Max. Voltage AC	240 V
Switch	Toggle
Contacts	Solder Pins
Lifetime Microswitches Type 1 & 2	Mechan. max. 10 000 000 actuations / Electr. min. 50 000 actuations
Rating Microswitch Type 1	10 (1,5) A 250 VAC
Rating Microswitch Type 2	100 mA 12 VDC

Order Description

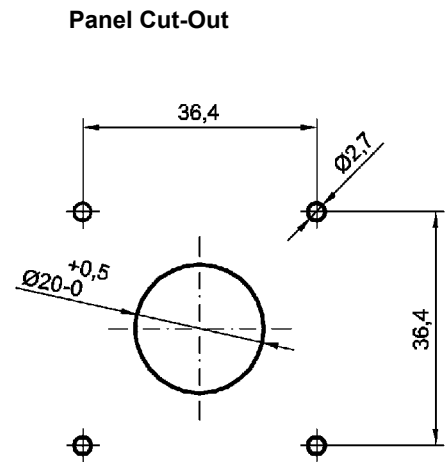
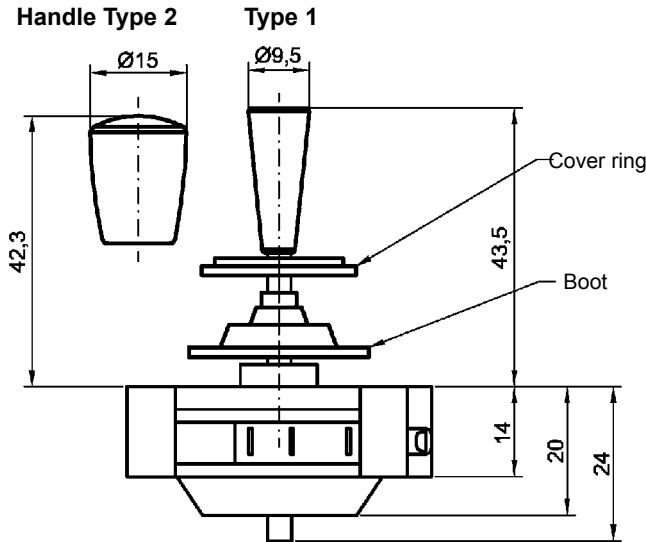
Series	851					
Axes 2 Axes		2				
Cover			1			
Spring Return				1		
Handles conical round					1 2 (*)	
Microswitches Type 1 Type 2 (gold contacts)						1 2 (*)

For joysticks available from stock please see our stock types list: <http://www.megatron.de/en/stocklists/joysticks/lagerliste.html>

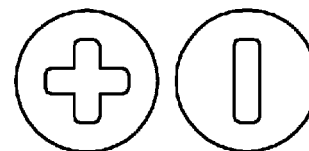
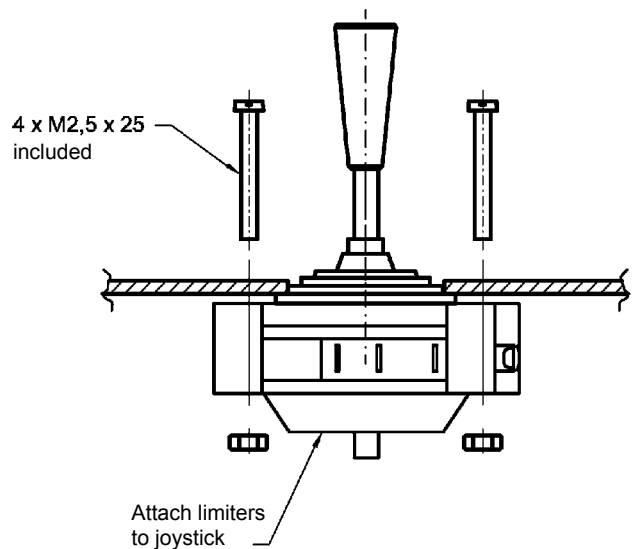
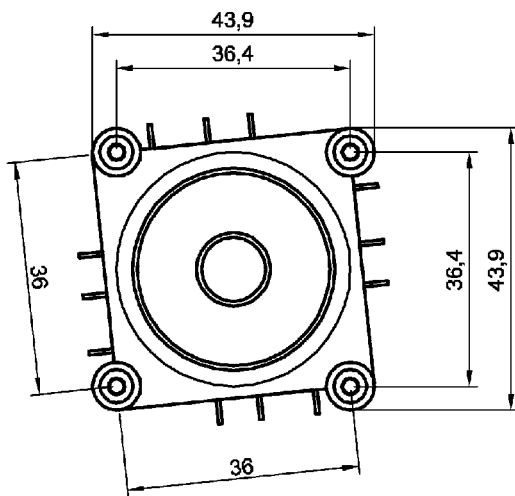
Bold print = Standard options

(*) upon request

Technical Drawing



Mounting from beneath panel only



Limiters included

All dimensions in mm