

Data sheet for Load Cells

Shear Beam with Electronics

Series KT703



- Compact shear beam with integrated digital transducer
- Output 0..10V, 4..20 mA @24 VSUP
- Force transmission via M5-thread
- Strain gauge
- Aluminium alloy

Series KT703 force sensors are double bending beam sensors and characterized by its tight shape and its easy way of fastening. It could be fixed with 2 screws at any flat and stable ground. Force application is vertical to sensor-axis.

Data Load Cell

Rated force	200 N, 500 N, 1000 N
Rated characteristic value 2410 / 2442	10 V / 20 mA @ rated force
Relative error of characteristic value	≤ 1 % of rated output
Relative repeatability error	≤ 0.05 % of rated output
Relative reversibility error	≤ 0.05 % of rated output
Relative linearity error	≤ 0.2 % of rated output
Reference straight line	≤ 0.05 % of rated output
Relative deviation of zero signal	≤ 3 % of rated output
Rated displacement	≤ 0.3 mm
Insulation resistance	≥ 5 GΩ @ 50 VDC
Maximum operating force	≤ 150 % of rated force
Rated range of excitation voltage	24 VDC
Operating range of excitation voltage	12 - 36 VDC
Rated temperature range	-10 °C..+40 °C
Operating temperature range	-10 °C..+70 °C
Protection	IP40
Temperature effect on characteristic value	≤ 0.05 % of rated output / 10 K
Temperature effect on zero signal	≤ 0.05 % of rated output / 10 K
Creep under load	≤ 0.05 % of rated output
Cable dimension	3 x AWG28; shielded
Cable length from body	ca. 2.75 m
Body material	Aluminium alloy
Mass	180g

Terms according to guideline VDI / VDE / DKD 2638

Data sheet for Load Cells

Shear Beam with Electronics

Series KT703

Order code					
Description	Selection: standard=black/bold, possible options=grey/cursive				
Series:	KT703				
Connecting cable: Cable length 2.75 m		K			
Rated force: 200 N 500 N 1 kN			200N 500N 1kN		
Electronics: 24 VSUP 0..10 V Output 24 VSUP 4..20 mA Output				2410 2442	
Direction of force: Tension Pressure					Z D

For higher quantities or on-going demand, additional options are available as described below on request

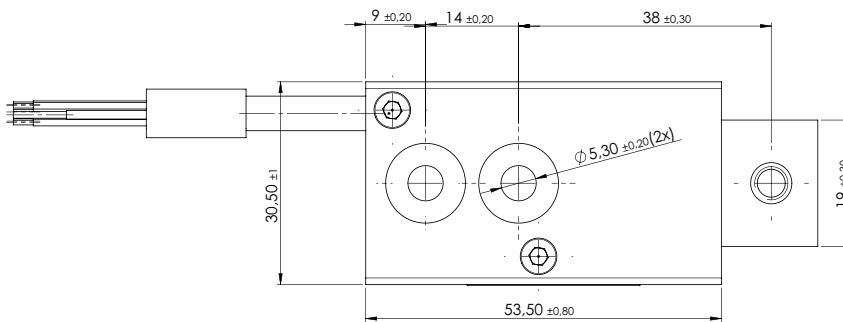
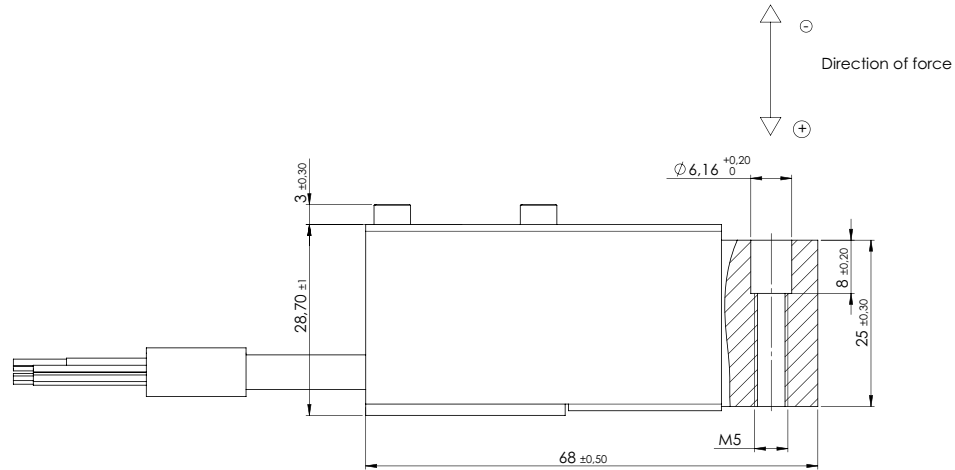
For Example: Attach cable assemblies with or without connectors, output signals with PWM or SPI and much more.

Data sheet for Load Cells

Shear Beam with Electronics

Series KT703

Drawing



Dimensions in mm

Terminal assignment for 10 V (2410)	
Black	GND
Red	VSUP
Brown	(+) OUT
Shield	on housing

Terminal assignment for 4.20 mA (2442)	
Black	GND
Red	VSUP
Orange	(+) OUT
Shield	on housing